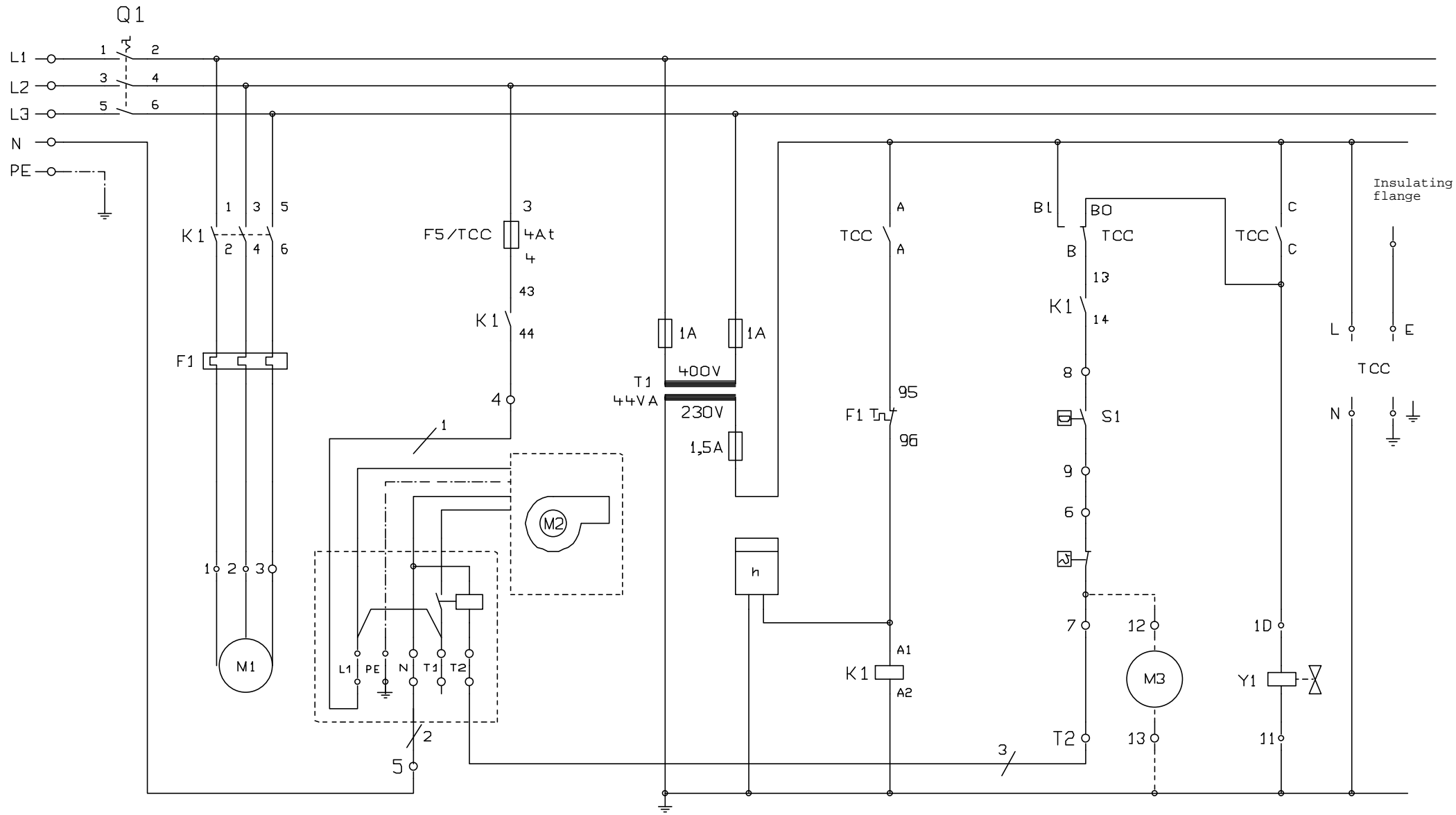


400V/50Hz

Fuse on site 16A slow



High pressure pump


Burner

High pressure pump

Burner control

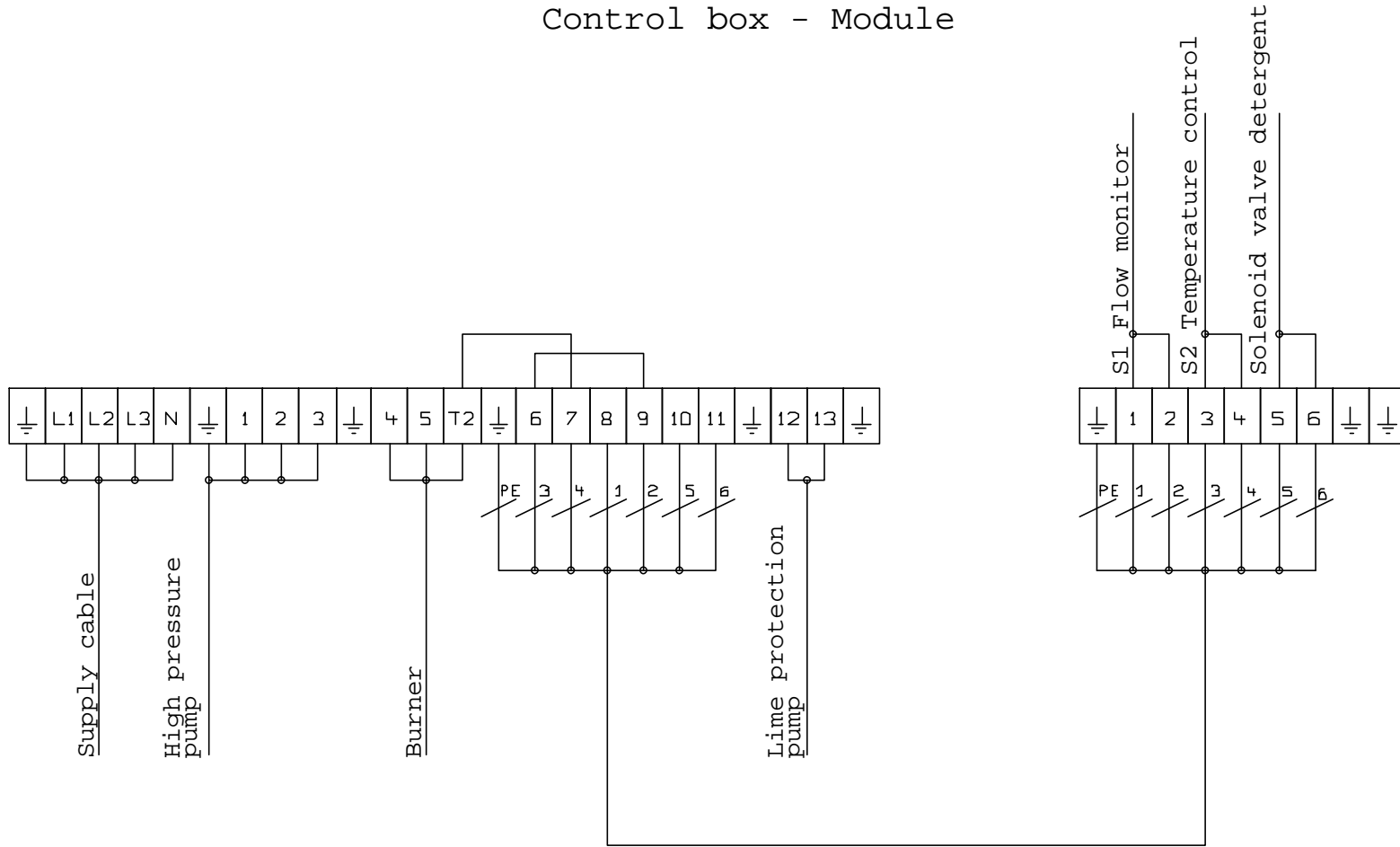
Lime protection pump

Detergent pump

			Datum	27.10.2011		FRANK GmbH Bochumer Straße 15 D-57234 Wilnsdorf	FGM-TCC with burner EG 08	with release relay in burner plus	Blatt 1
			Bearb.						van 2 Bl.
			Gepr.						
Anderung	Datum	Name	Norm		Urspr.	Ers.f	Ers.d		

# Terminal connection table

## Control box - Module



Datum 27.10.2011

Bearb.

Gepr.



FRANK GmbH  
Bochumer Straße 15  
D-57234 Wilnsdorf

FGM-TCC  
with burner EG 08

with release relay  
in burner plug